

INTRODUCTION

Thank you for your purchase of the MX51s Mini-Mix II. The MX51s is a four channel mixer designed for Audio and Visual applications. Channel 1 has a microphone XLR input with switchable phantom power. Channel 2 has 1/8" and RCA inputs. Channels 3 and 4 have RCA jacks. The unit also features a 1/8" headphone output that will drive up to 600 Ω headphones with full frequency response. The MX51s is intended for professional applications. It has an FR4 glass epoxy circuit board, vinyl laminated steel chassis bottom and a powder coated top. All inputs except CH 1 microphone are stereo. All outputs are true stereo.

DESCRIPTION

DC PWR: For connection to the ROLLS PS27 power supply.
OUT: Stereo RCA jacks for connection to a mixer or amplification device.

CH 4 and CH 3 INPUT: Stereo RCA jacks for connection to a signal source such as a CD player, cassette deck, tuner, etc.

CH 2 INPUTS: Stereo RCA and one 1/8" jacks (paralleled)

for connection to a signal source such as that mentioned for Channels 3 and 4, or to a source such as a wireless microphone or instrument.

CH 1 INPUT: XLR jack for connection to a microphone. Switchable jumper phantom power as labeled on unit.

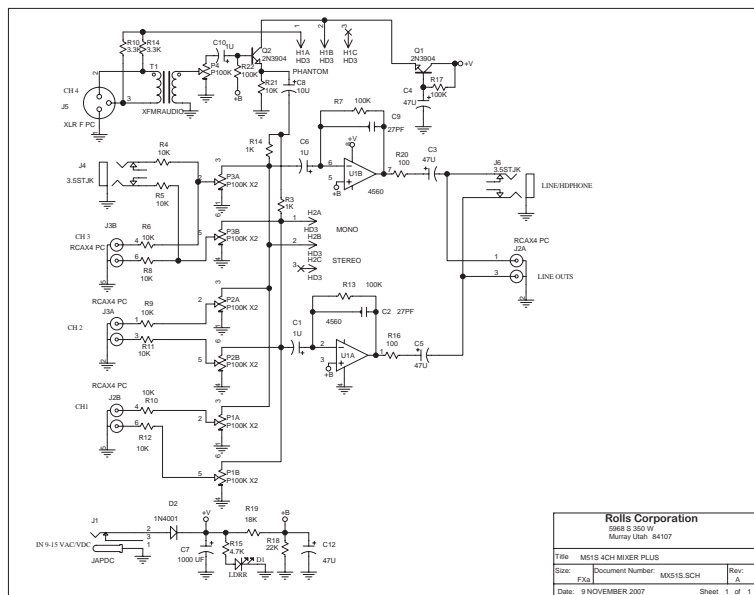
LINE/HEADPHONE OUTPUT: 1/8" Stereo jack for connection to a mixer, amplifier or stereo headphones.

CH 1 - 4 LEVEL: Adjusts the volume level of each channel.

OPERATION

To operate the MX51s, properly connect cords from the sources to be mixed (mics, cassette decks, CD players etc.) into the channel inputs. Connect the outputs to an amplification device or sound system. Adjust the channel level controls for the desired volume. For private listening, plug stereo headphones into the LINE/HEADPHONE OUTPUT on the MX51s front.

SCHEMATIC



... anywhere you need to mix up to four line signals to a mono output.

ROLLS

- Live
- Studio
- Install

MX51s 4-Channel Mixer

MX51s Mini Mix II

ROLLS

MX51s MINI MIX 2

- For mixing a microphone XLR input with up to three RCA input signals
- Four channels total
- Line / Headphone output level
- ROLLS PS27 AC adapter included

The MX51s Mini Mix 2 is small four-channel mixer with individual volume controls, and a headphone / line output. The unit has one XLR input along with an 1/8" input and 3 sets of stereo RCA inputs. It has enough gain and output level to connect to a power amplifier, with either RCA or 1/8" jacks. The MX51 is powered by an included ROLLS PS27 12 VDC adapter.

SPECIFICATIONS

Input Impedance:	10K Ω unbalanced each jack
CH 1 Gain:	32 dB XLR jack (highest gain)
Phantom Power:	for CH 1 microphone XLR
Ch2 Gain:	26 dB 1/8" and RCA
Ch 3 and 4 Gain:	26 dB each RCA
Output:	1/8" stereo and stereo RCA
S/N Ratio:	>90 dB
THD:	<.008%
IMD(SMPTE):	<.008%
Power:	ROLLS PS27 12 VDC adapter
Weight:	1 lbs. (.45 Kg)
Size:	3" x 5" x 1.25" (8 x 13 x 3.2 cm)

WARRANTY

For information on the Rolls One Year Limited Warranty, and to register this product, visit our website at www.rolls.com



ROLLS

Rolls Corporation
Salt Lake City, UT
05/2008

